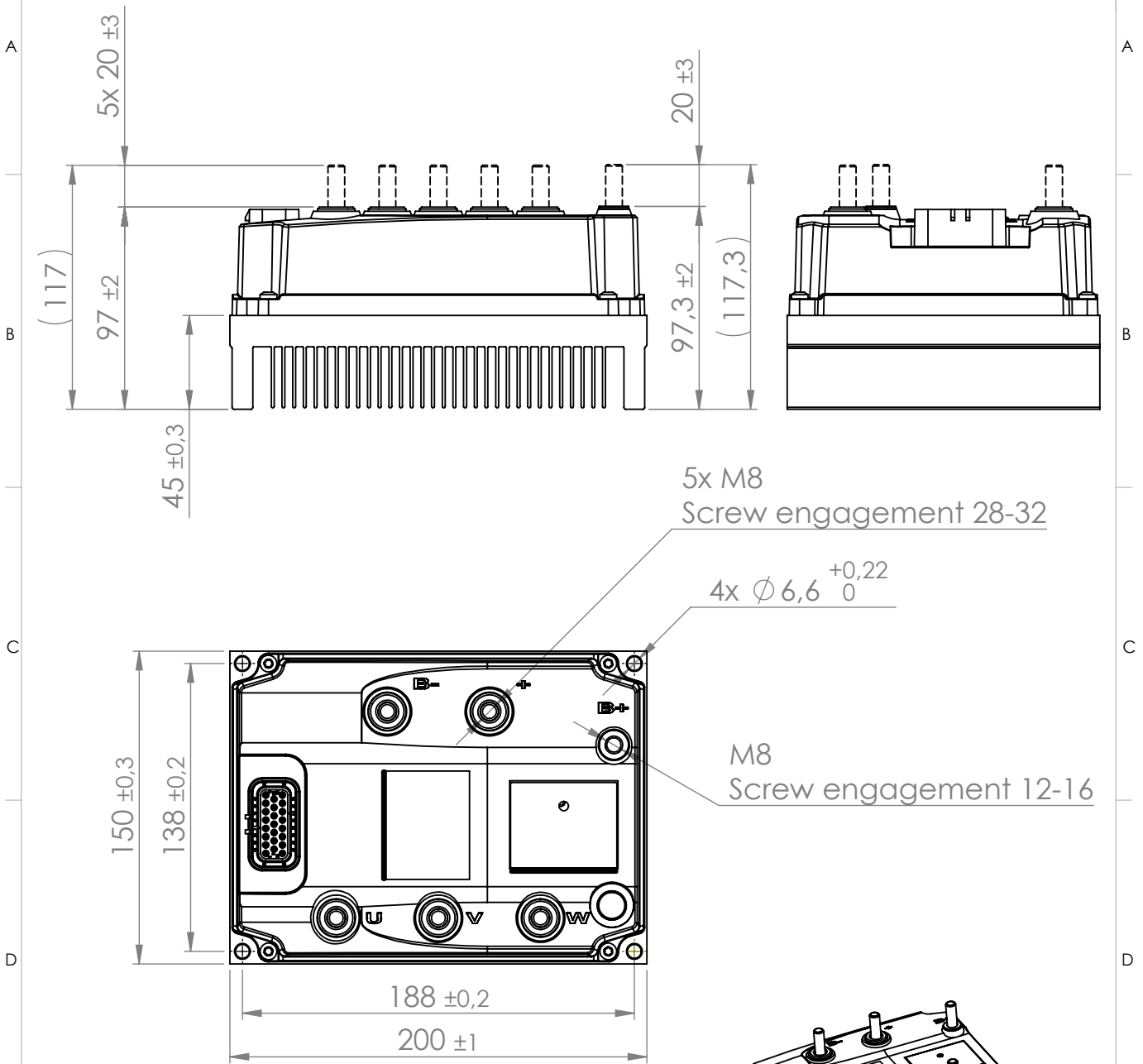


Rev	Change note (from PDMW)	Changed	Date
01	First release.	JHD	2019-04-11



Drawing notes:

1. See 3D-model for further details.
2. Weight $\pm 10\%$.
3. I/O connector versions:
 - a) 23 pos AMP seal blk
 - b) 35 pos AMP seal blk
4. M8 stud for lug and fuse holder are optional.

Material:

Surface Treatment:

Description

Standard ACS G7 M heatsink Y2

Status	Initial Designer	Weight	General Tolerance	General Roughness	Units
released	LHN	2.7 kg		Ra:	mm

Document No.	Rev	Page No.	Projection View
MC001738F	01	1(1)	