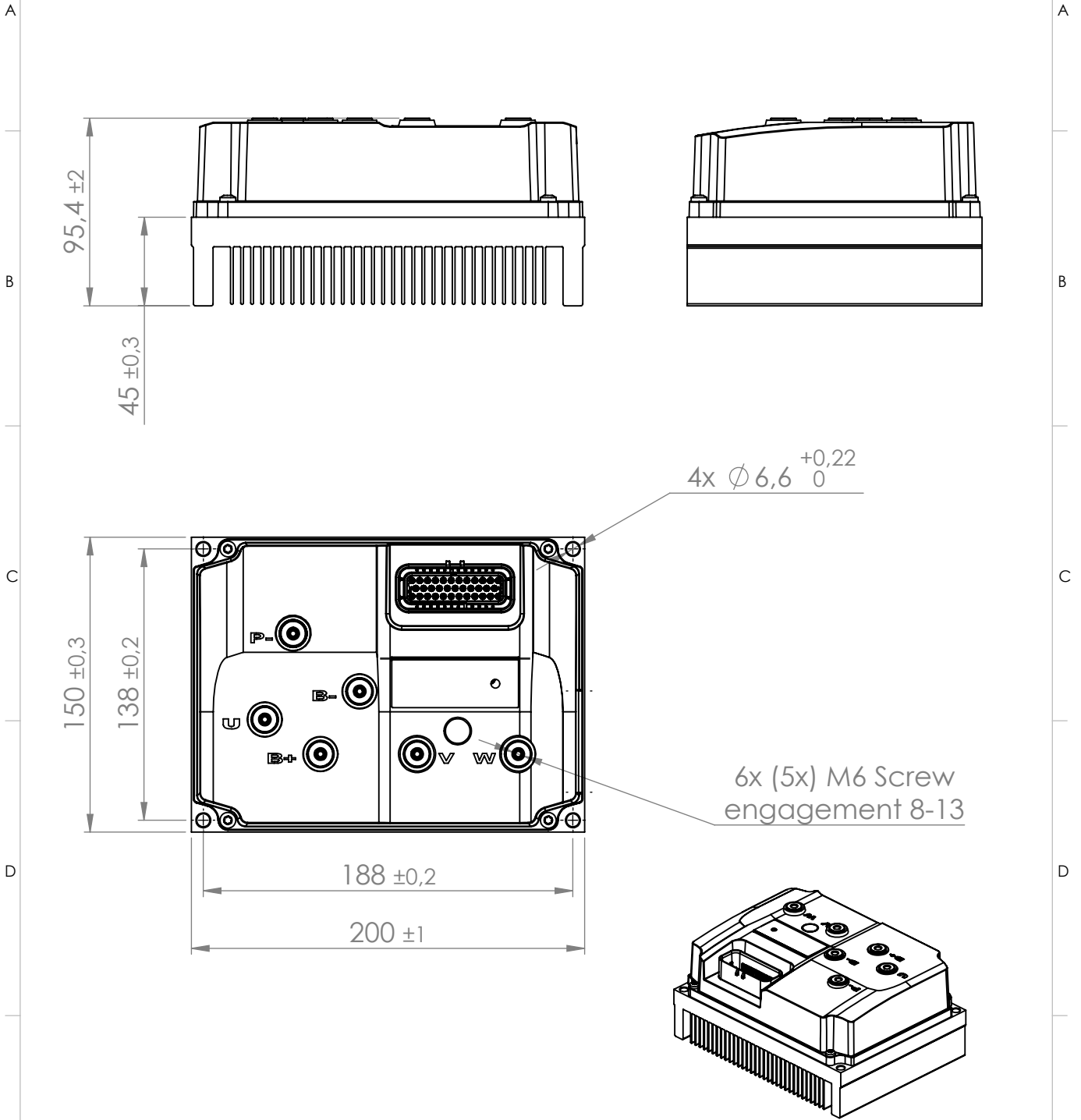


1	2	3	4
Rev	Change note (from PDMW)	Changed	Date
01	First release.	JHD	2019-04-11



Drawing notes:

1. See 3D-model for further details
2. Weight $\pm 10\%$
3. Pump (P-) connection is optional

Material:

Surface Treatment:

Description

Standard ACS G7 S Heatsink Y2

Status released	Initial Designer LHN	Weight 2.6 kg	General Tolerance	General Roughness Ra:	Units mm
--------------------	-------------------------	------------------	-------------------	--------------------------	-------------

Document No. MC001872E	Rev 01	Page No. 1(1)	Projection View
---------------------------	-----------	------------------	---------------------