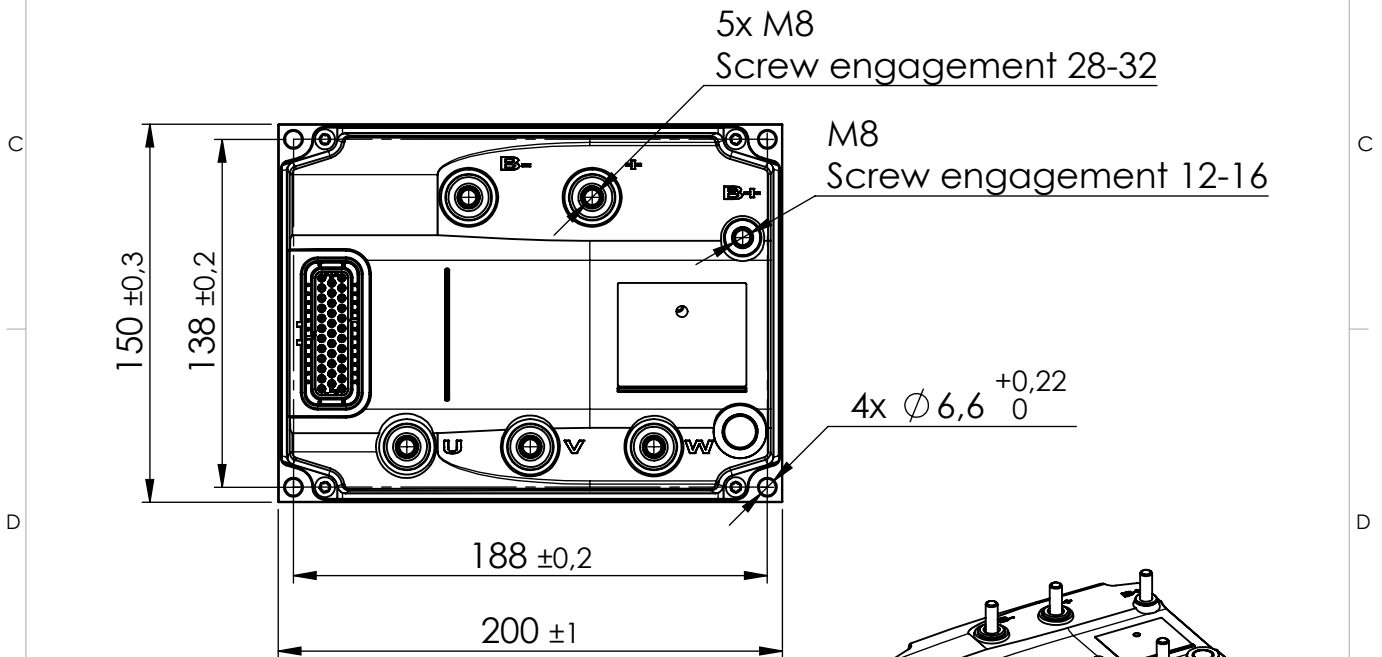
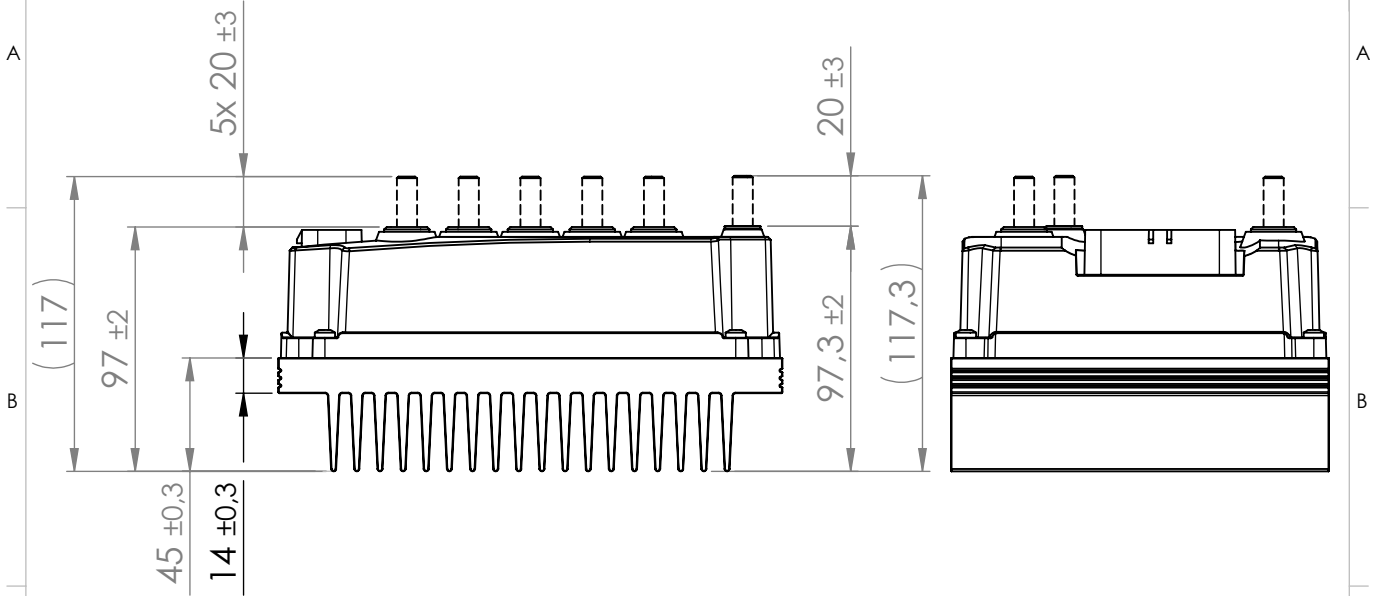


Rev	Change note (from PDMW)	Changed	Date
02	Studs added.	JHD	2019-02-18



Drawing notes:

1. See 3D-model for further details.
2. Weight $\pm 10\%$.
3. I/O connector versions:
a) 23 pos AMP seal blk
b) 35 pos AMP seal blk
4. M8 stud for lug and fuse terminal are optional.

Material:

Surface Treatment:

Description

Standard ACS G7 M Heatsink F

Status	Initial Designer	Weight	General Tolerance	General Roughness	Units
released	LHN	2.6 kg	-	Ra:	mm

Document No.	Rev	Page No.	Projection View
MC001738D	02	1(1)	



MC001738D

02

1(1)

