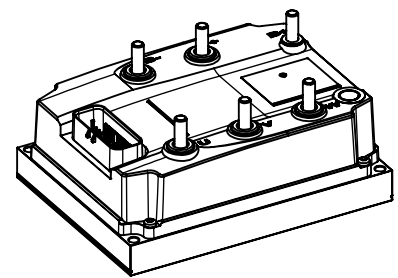
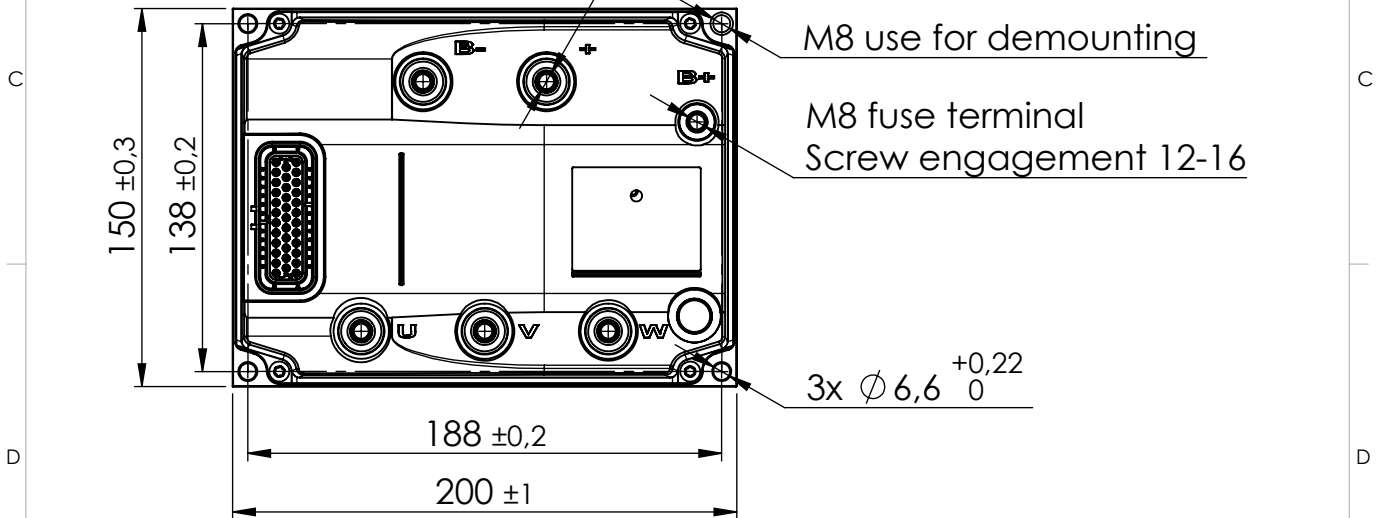
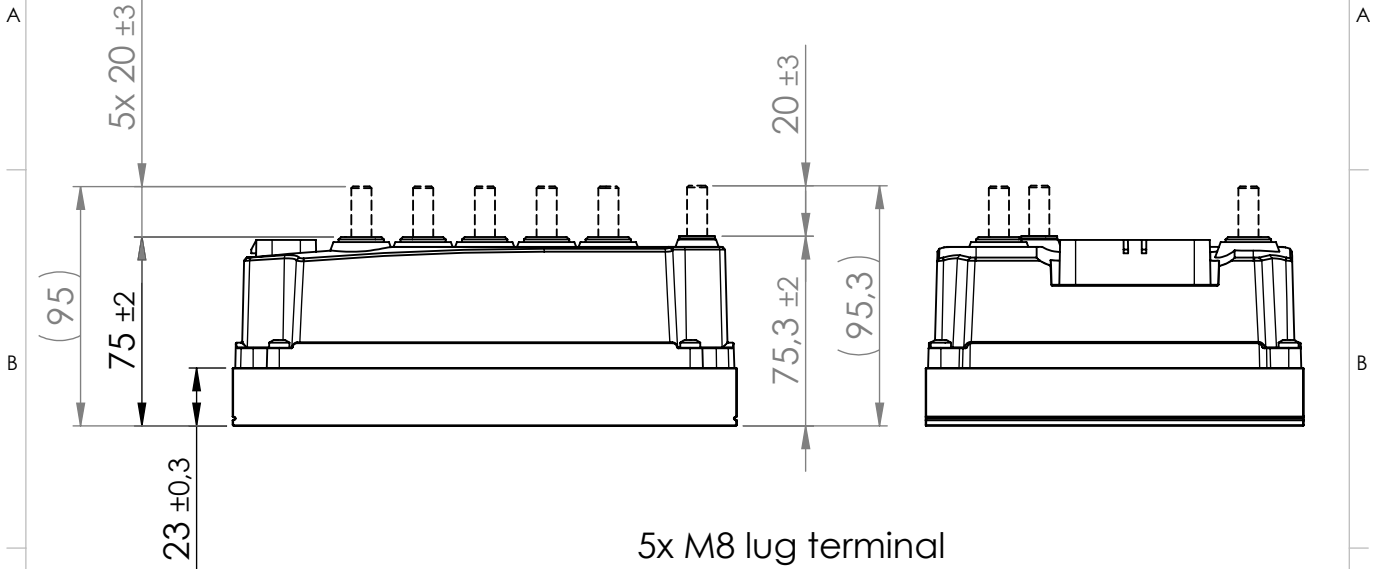


Rev	Change note (from PDMW)	Changed	Date
03	20 was 21, Pos A1, A3	JHD	2019-02-18



Drawing notes:

1. See 3D-model for further details.
2. Weight  $\pm 10\%$ .
3. I/O connector versions:
  - a) 23 pos AMP seal blk
  - b) 35 pos AMP seal blk
4. M8 stud for lug and fuse terminal are optional.

Material:		Surface Treatment:		Description	
				Standard ACS G7 M Heatsink C	
Status	Initial Designer	Weight	General Tolerance	General Roughness	Units
released	LHN	2.5 kg	-	Ra:	mm
Document No.		Rev	Page No.	Projection View	
MC001738B		03	1(1)		