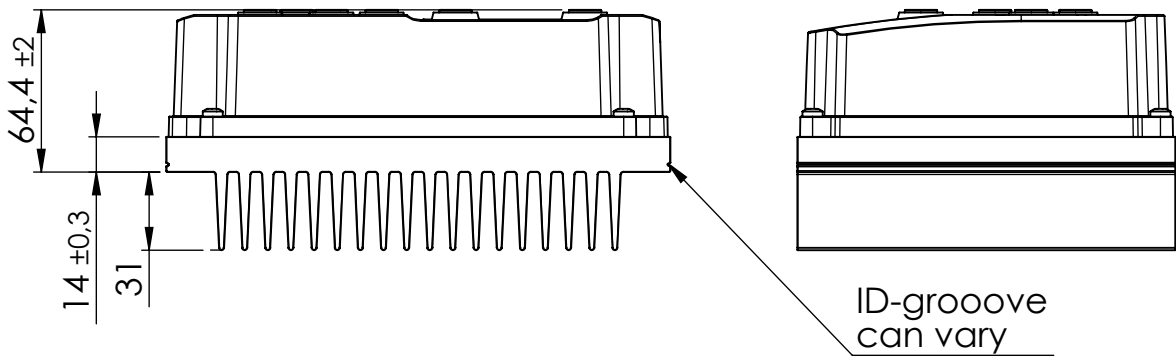


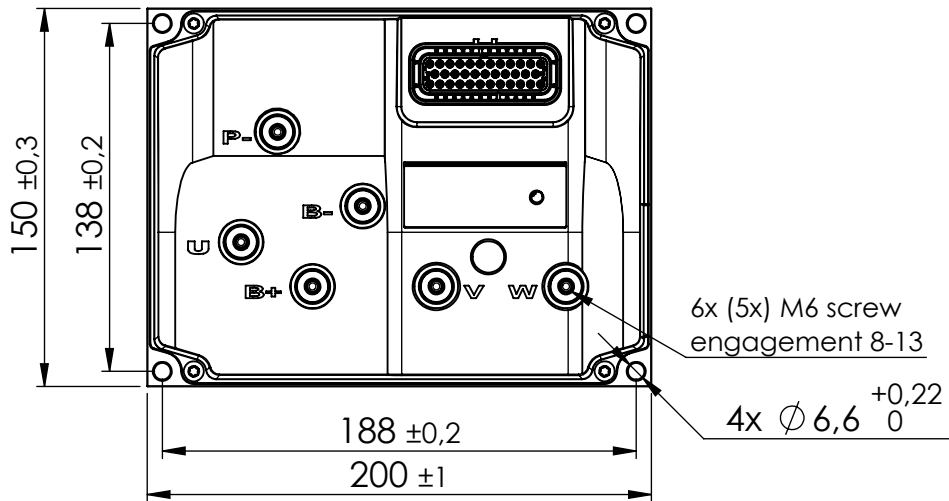
Rev	Change note (from PDMW)	Changed	Date
01	First release.	LHN	2018-01-31

A



B

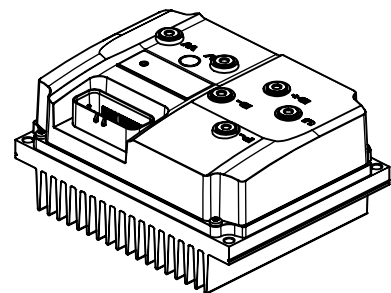
C



D

E

- Drawing notes:
1. See 3D-model for further details.
  2. Weight  $\pm 10\%$
  3. Pump (P-) connection is optional.



Material:

Surface Treatment:

Description  
Standard ACS G7 S Heatsink F

Status	Initial Designer	Weight	General Tolerance	General Roughness	Units
released	LHN	2.3 kg	-	Ra:	mm

Document No.	Rev	Page No.	Projection View
MC001872B	01	1 (1)	