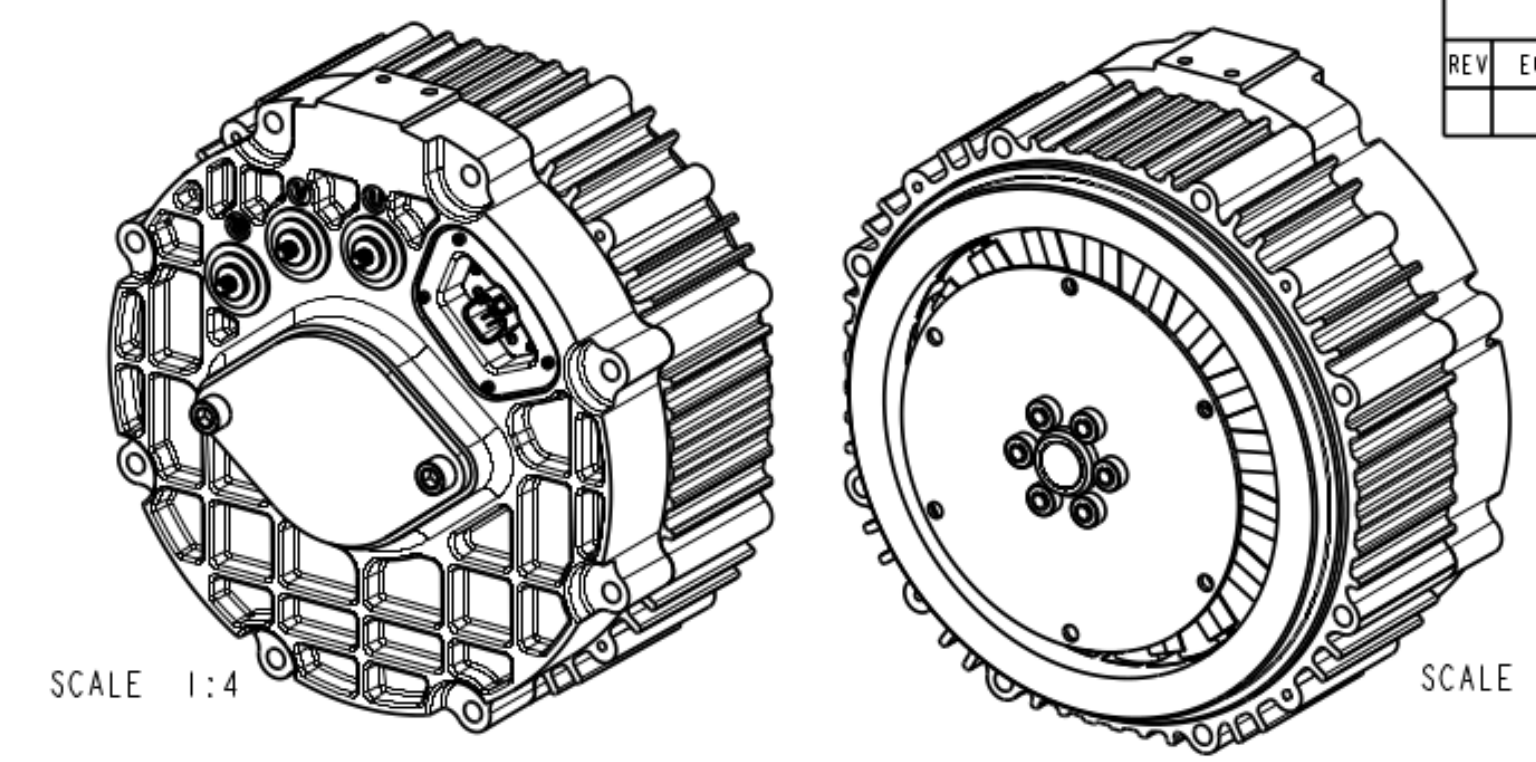
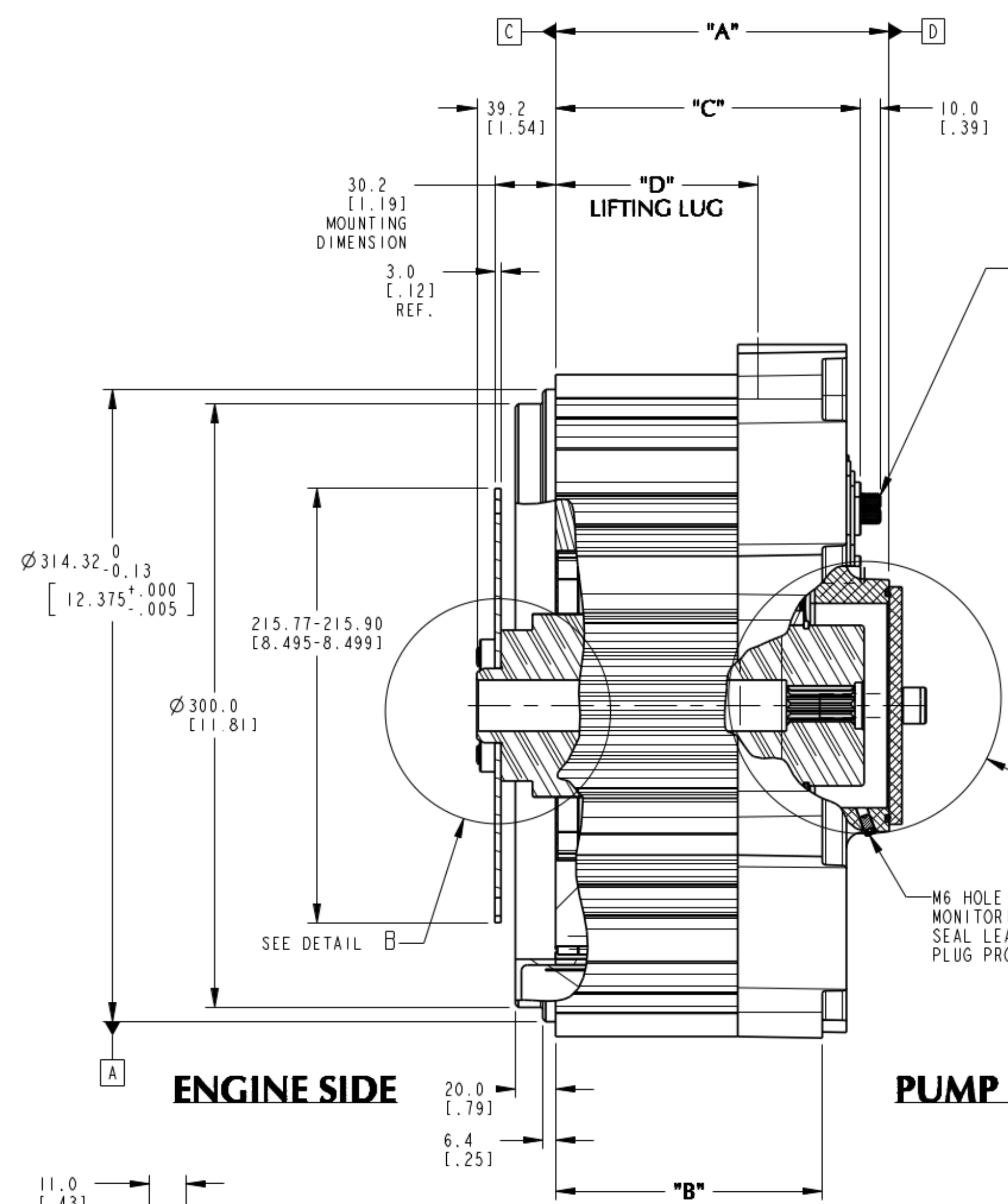
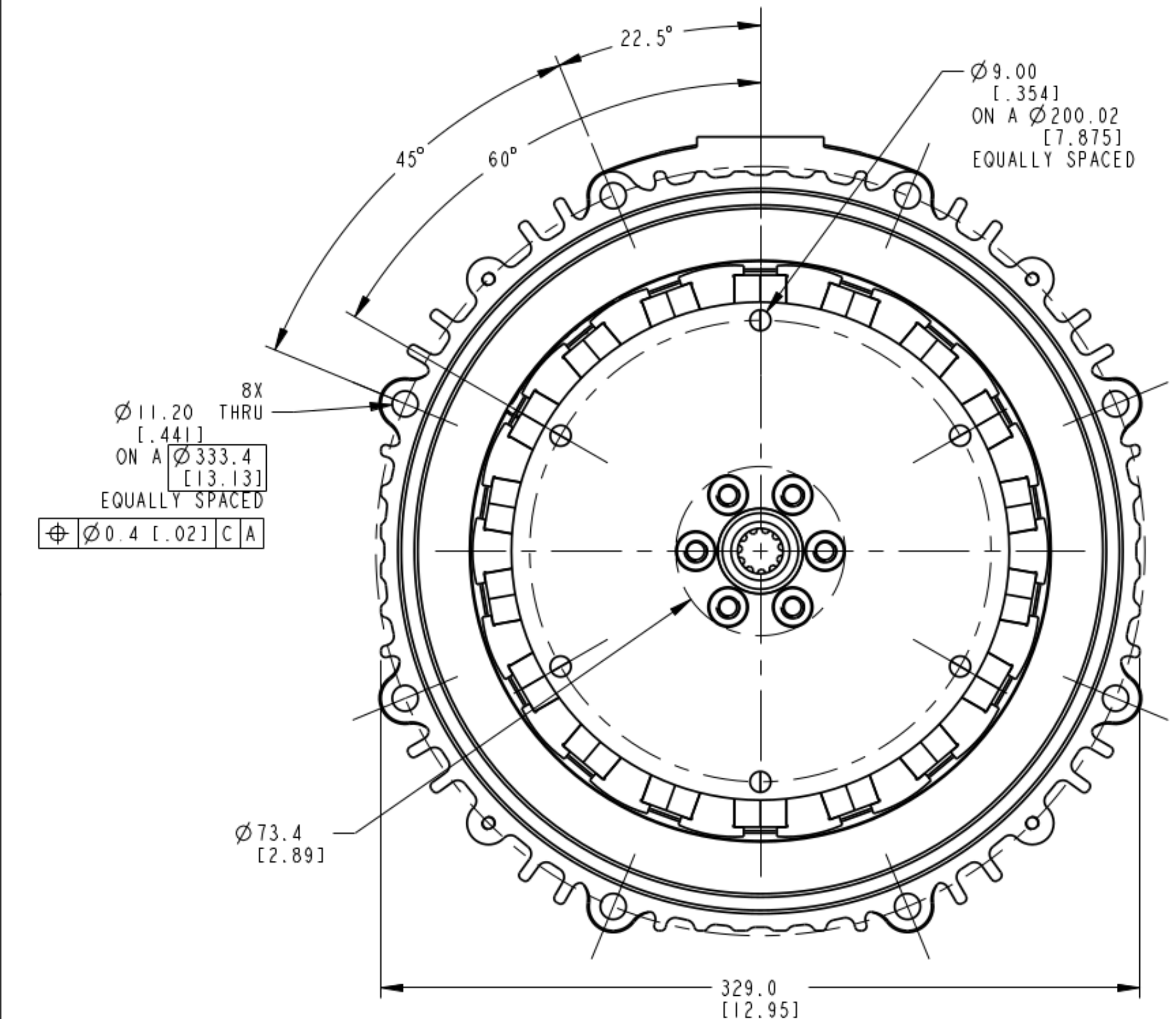
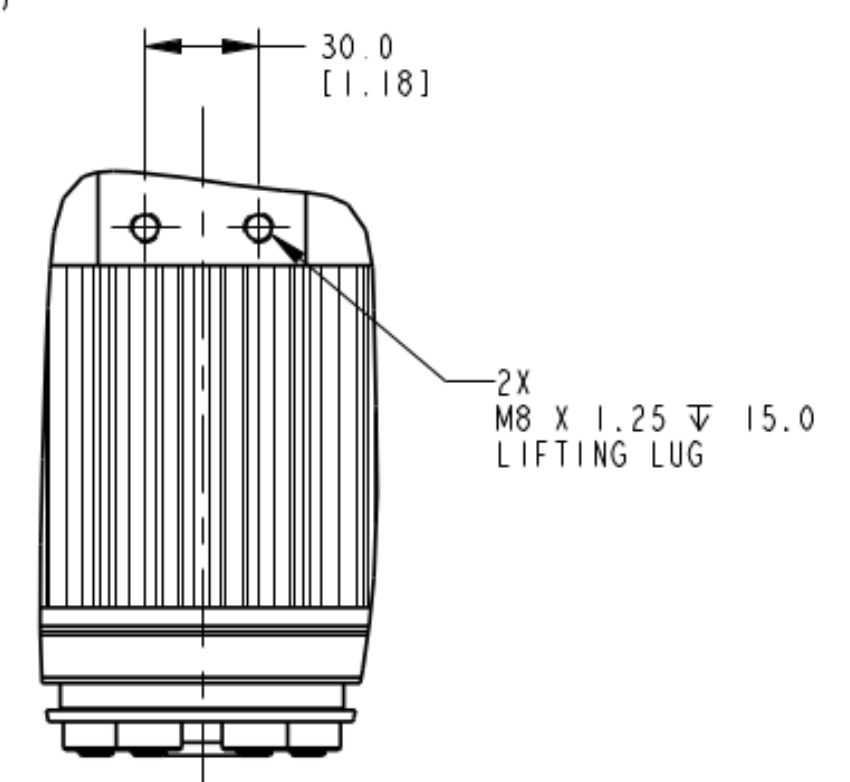
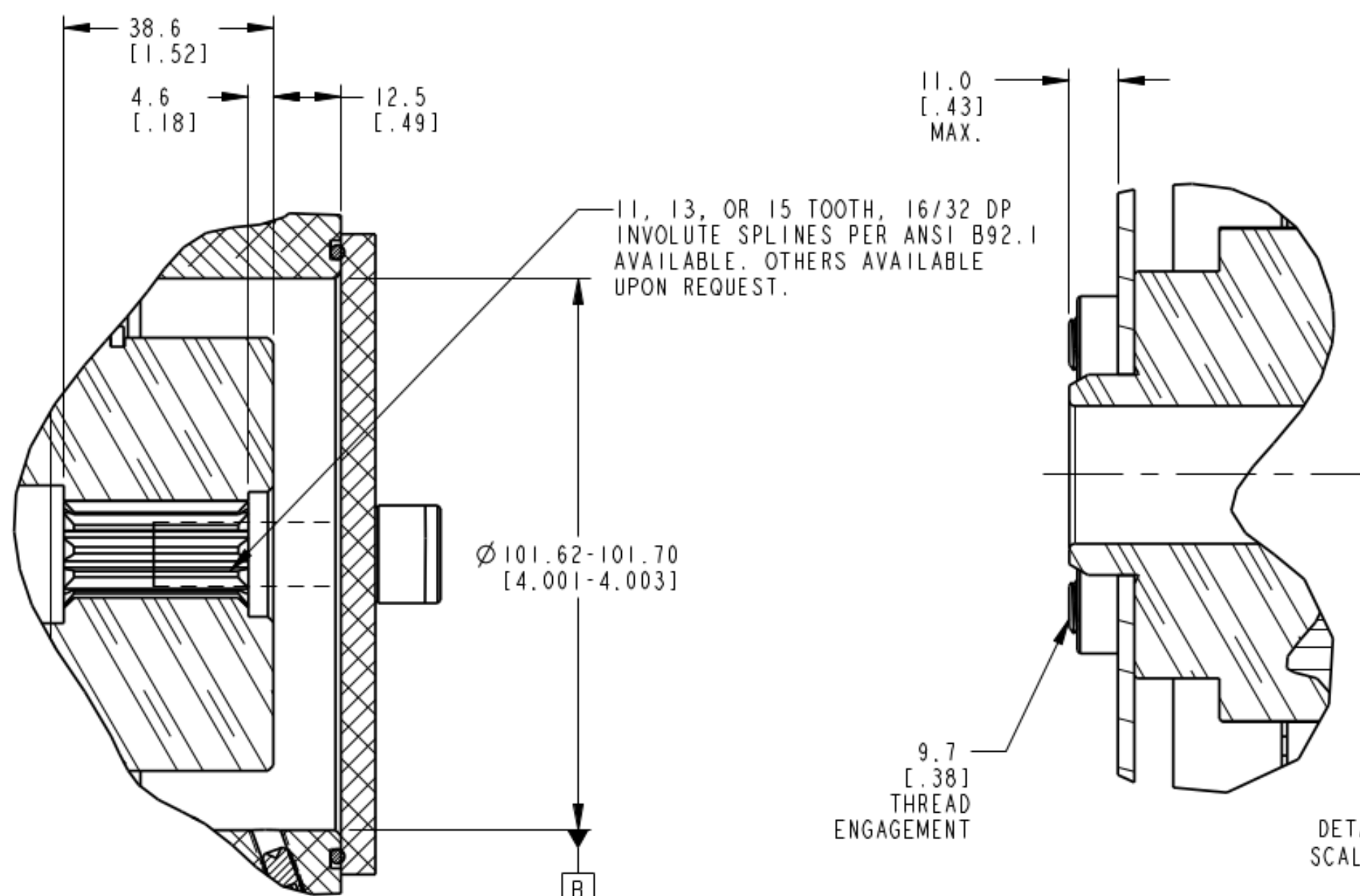
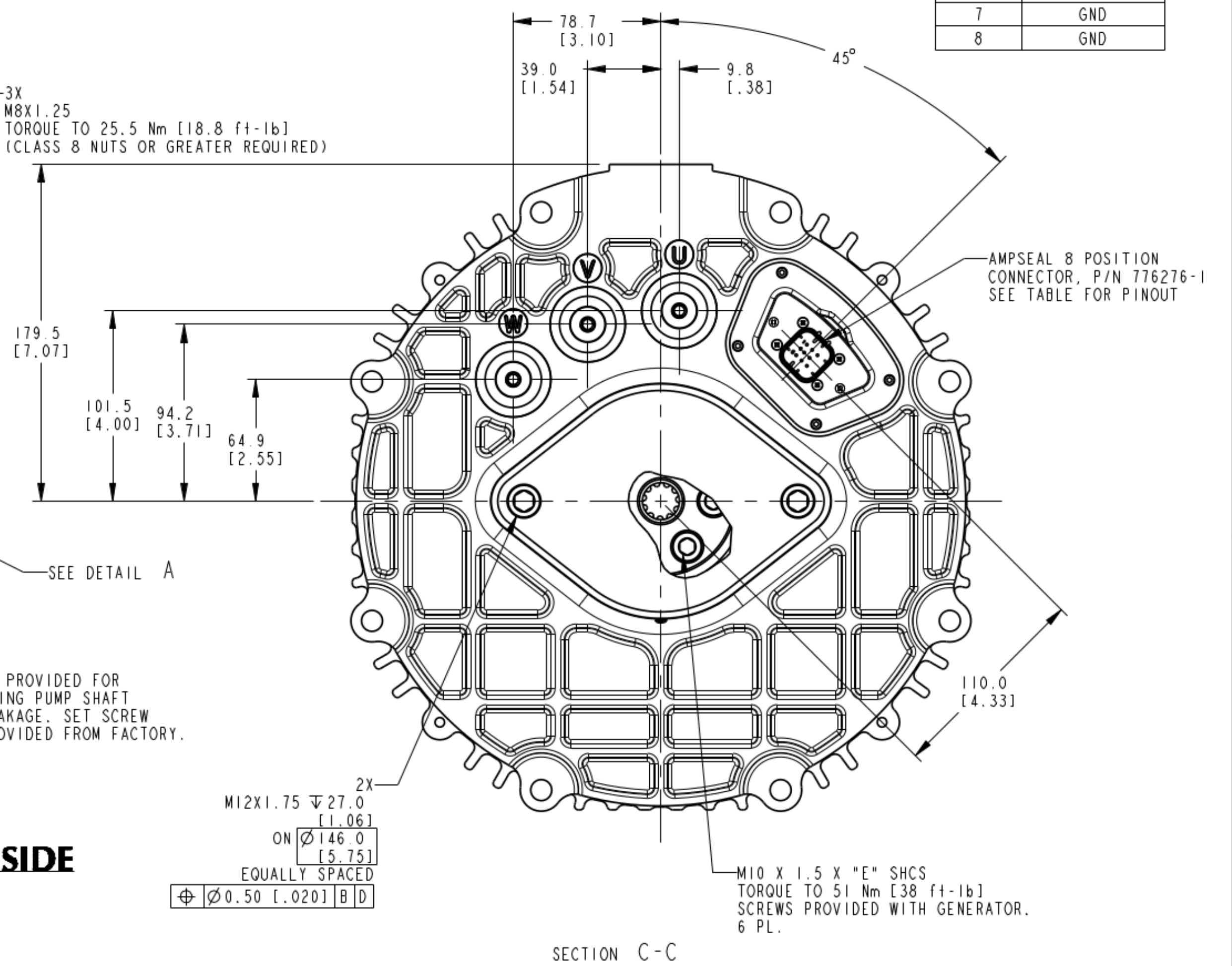


- NOTES:
1. DIRECTION OF ROTATION CCW, AS VIEWED FROM PUMP SIDE, WHEN COMMUNATING U → V → W
 2. GSM DESIGNED TO MOUNT TO ENGINES USING SIZE 5 FLYWHEEL HOUSINGS PER SAE J617 AND SIZE 165 (6 1/2) FLYWHEELS PER SAE J620.
 3. PUMP SIDE DESIGNED FOR MOUNTING PUMPS WITH 101-2 (B) FLANGES PER SAE J744. CONSULT INMOTION ABOUT PUMP OVERHANG AND MOMENT LOAD.
 4. ASSEMBLY MEETS IP65 WHEN MOUNTED AND SEALED TO FLYWHEEL HOUSING



SENSOR PINOUT TABLE	
PIN NO.	FUNCTION
1	GND
2	POWER
3	SENSOR #1
4	SENSOR #2
5	SENSOR #3
6	TEMP SENSOR
7	GND
8	GND



MODEL	DIM "A"	DIM "B"	DIM "C"	DIM "D"	DIM "E"
GSM306	135.8 [5.35]	102.5 [4.03]	121.5 [4.78]	70.5 [2.78]	150 [5.9]
GSM309	165.8 [6.53]	132.5 [5.22]	151.5 [5.96]	100.5 [3.96]	180 [7.1]
GSM312	195.8 [7.71]	162.5 [6.40]	181.5 [7.15]	130.5 [5.14]	200 [7.9]

This drawing contains PROPRIETARY information and is the property of InMotion US LLC. This drawing may not be copied or used without prior written approval of InMotion US LLC.

INTERPRET GEOMETRIC SYMBOLS PER ANSI Y14.5-2009

ProjE Model File Ref	proj_revision
ProjE Instance Name	970987_SAE5_90MM_GEN_ASSY
ProjE Drawing Name	970987
ProjE Model Type	ASSEM

Creo Parametric Drawing

SIGNIFICANT PRODUCT CHARACTERISTIC	UNLESS OTHERWISE SPECIFIED REMOVE ALL SHARP BURRS AND BREAK ALL SHARP EDGES	INMOTION US 3157 State Street Blacksburg, Virginia 24060 United States of America																
	MILLIMETER VALUES: ANGULAR TOLERANCE: ±1° XX DEC. PLACE: ± 4mm XX DEC. PLACE: ± 13mm																	
CRITICAL PRODUCT CHARACTERISTIC	LINCH VALUES: ANGULAR TOLERANCE: ±1° XX DEC. PLACE: ± 0.15° XX DEC. PLACE: ± .005"	GENERATOR OUTLINE GSM30X																
THIRD ANGLE PROJECTION	DO NOT SCALE DRAWING USE DIMENSIONS ONLY ALL DIMENSIONS ARE IN LINCH INCH DIMENSIONS IN BRACKETS [] ARE FOR REFERENCE ONLY																	
<table border="1"> <tr> <td>DRAWN BY:</td> <td>DATE:</td> <td>SIZE:</td> <td>DWG. NO.:</td> <td>REV:</td> </tr> <tr> <td>4-18-17</td> <td>4-18-17</td> <td>D</td> <td>970987</td> <td>PO</td> </tr> </table>		DRAWN BY:	DATE:	SIZE:	DWG. NO.:	REV:	4-18-17	4-18-17	D	970987	PO	<table border="1"> <tr> <td>REVISION HISTORY</td> <td>DATE</td> <td>APP'D</td> </tr> <tr> <td> </td> <td> </td> <td> </td> </tr> </table>	REVISION HISTORY	DATE	APP'D			
DRAWN BY:	DATE:	SIZE:	DWG. NO.:	REV:														
4-18-17	4-18-17	D	970987	PO														
REVISION HISTORY	DATE	APP'D																
MILLIMETERS		SHEET 1 OF 1																