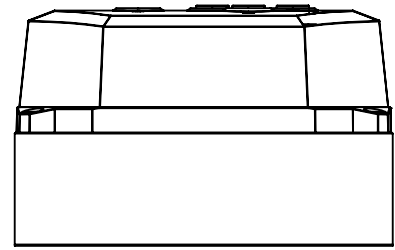
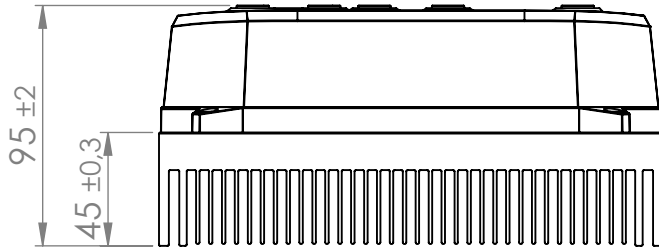


1	2	3	4
Rev	Change note (from PDMW)	Changed	Date
02	First release acc to revised company standard.	SHM	2016-02-01

A

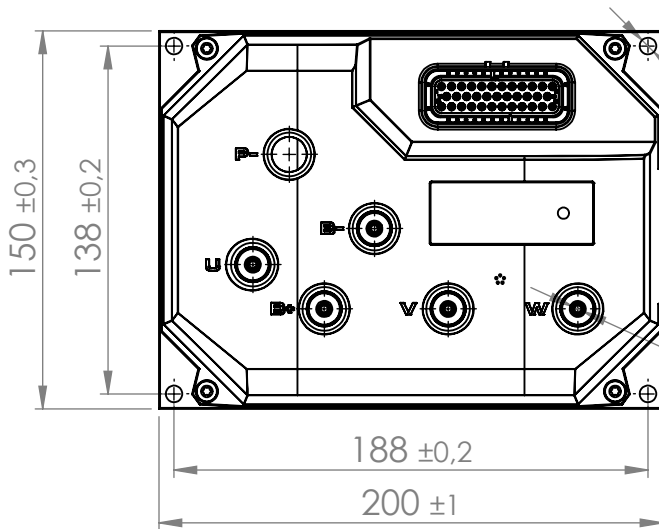


B

B

C

C



4x Ø 6,6 <sup>+0,22</sup>/<sub>0</sub>

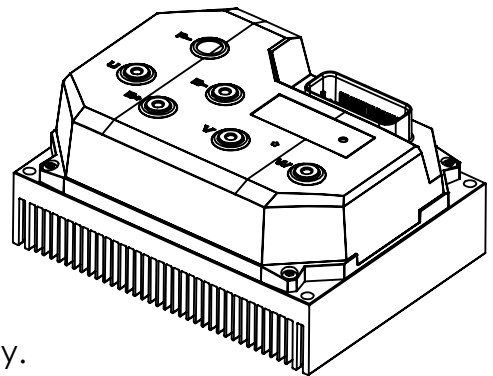
(5x) M6  
Screw engagement 8-12

D

D

Drawing notes:

1. See 3D-model for further details.
2. I/O connector versions:
  - a. 35 pos AMP seal blk
3. Weight +/- 10%.
4. Pump (P-, M6) connection, XCS version only.



E

E

Material:

Surface Treatment:

Description  
Standard ACS XS/XSC Heatsink Y

Status	Initial Designer	Weight	General Tolerance	General Roughness	Units
released	LHN	2.7 kg		Ra:	mm

Document No.	Rev	Page No.	Projection View
MC001020C	02	1(1)	