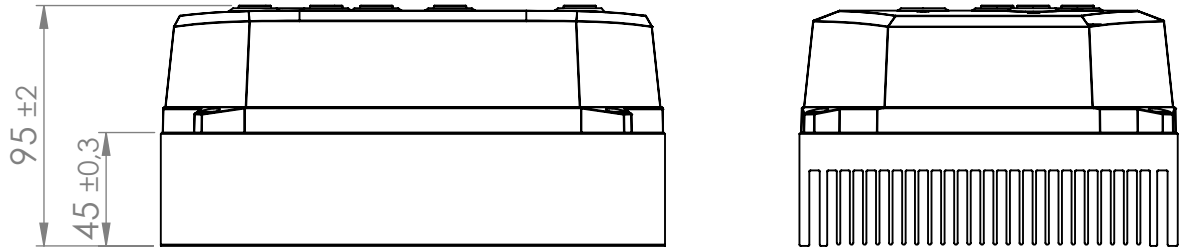


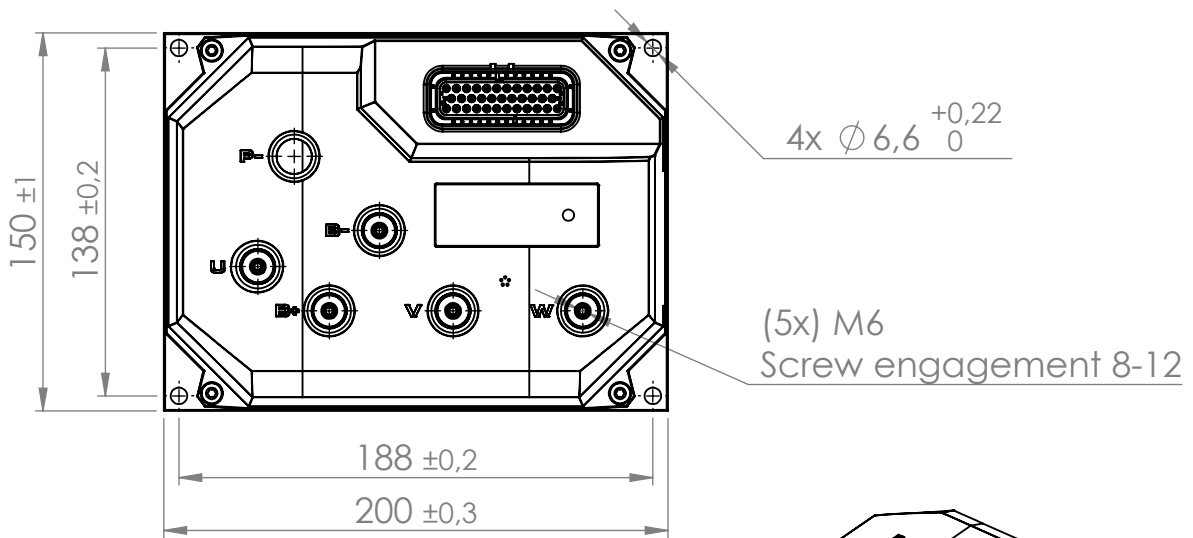
1	2	3	4
Rev	Change note (from PDMW)	Changed	Date
03	First release acc to revised company standard.	SHM	2016-02-01

A

B



C

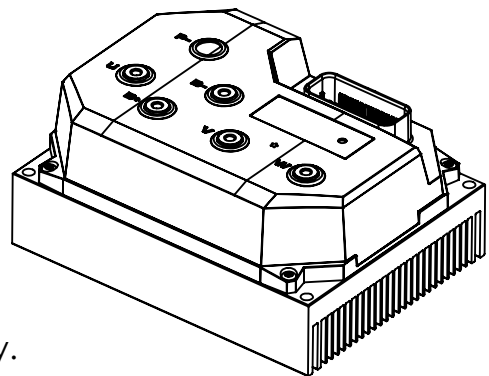


D

E

**Drawing notes:**

1. See 3D-model for further details.
2. I/O connector versions:
  - a. 35 pos AMP seal blk
3. Weight +/- 10%.
4. Pump (P-, M6) connection, XCS version only.



Material:

Surface Treatment:

Description  
**Standard ACS XS/XSC Heatsink T**

Status	Initial Designer	Weight	General Tolerance	General Roughness	Units
released	LHN	2.7 kg		Ra:	mm

Document No.	Rev	Page No.	Projection View
MC001020A	03	1(1)	